

## 40GBase-SR4 QSFP+ Transceiver

### Descriptions:

- 10-Gbps × 4-Ch Duplex
- 100/150-m Link Length via OM3/OM4
- Power Level 1 Compliance
- Full Digital Diagnostics Monitor Interface
- Electrical Hot-Plug Compatible
- Standard 12/8 lane optical fiber with MPO pluggable optical connector
- 0 to 70°C case temperature operating range
- RoHS Compliance and Lead-Free

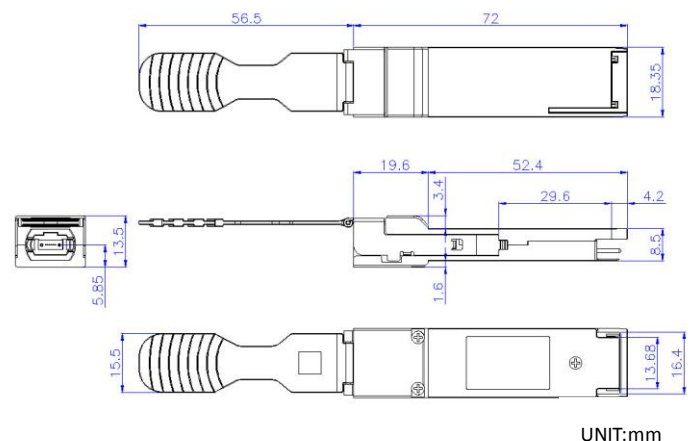


### Certifications:

- Ethernet Packet Test Passed
- Entire Characterization Test Passed
- Full Reliability Test Passed

### Applications:

- 40GBASE-SR4 Ethernet links
- InfiniBand QDR, DDR, and SDR
- 4G/8G/10G Fiber Channel
- SATA/SAS Storage
- HPC Interconnects
- Proprietary Interconnections



### Product Selections:

P/N	Data Rate (Gbps)	TX	RX	TX(dBm) Min	TX(dBm) Max	Reach	Temperature (deg C)	Description
C04010QTXM000	40	850 VCSEL	PIN	-7.6	2.4	150 m	0~70	QSFP SR4