

56-Gbps QSFP+ AOC

Descriptions:

- 14-Gbps × 4-Ch Duplex
- Max. 100-m Link Length
- BER better than 10^{-12}
- Power Level 1 Compliance
- Full Digital Diagnostics Interface
- Compliant to FDR Spec (IBTA EWG Definition)
- Compliant to FDR Interoperability Testing
0 to 70°C case temperature operating range
- RoHS Compliance and Lead-Free



Certifications:

- Preliminary Qualified Certification of QDR in IBTA PlugFest #23
- Compliant Cables and Interoperability
 - Entire Characterization Test Passed
 - Full Reliability Test Passed

● InfiniBand QDR Compliant Cable

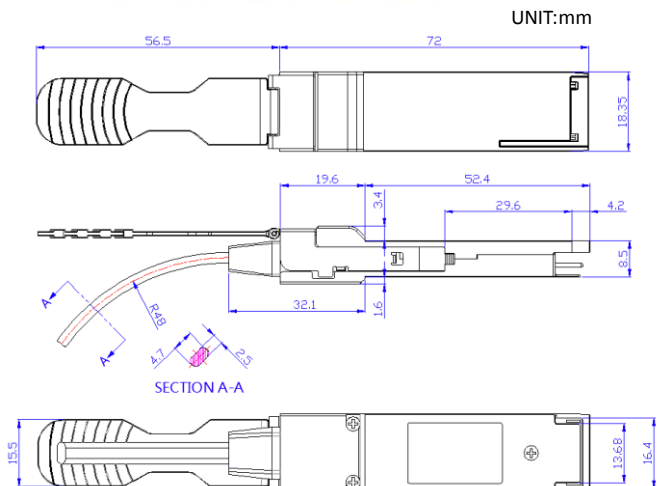
- 40G IBTA Plugfest 22 Certified (Oct. 2012)
- 56G UBTA Plugfest 23 Certified (Apr. 2013)



	I. Mellanox Eye opening	II. Memory map	III. Speed	IV. TDR/ VNA	V. Active Domain	Interoperability
QDR (H-ch*10-Gbps)	Pass	Pass	Pass	Pass	Pass	Pass (Mellanox HCA-Switch to Intel HCA-Switch)

● System Interoperability

- HP, Mellanox, Quanta, Inventek, and so on.



Applications:

- InfiniBand FDR, QDR, DDR, and SDR
- 40GBASE-SR4 Ethernet links
- 4G/8G/10G Fiber Channel
- SATA/SAS Storage
- HPC Interconnects
- Proprietary Interconnections

Product Selections:

P/N	Data Rate (Gbps)	TX	RX	Reach	Temperature (deg C)	Description
C04014QARLxxx	56	850 VCSEL	PIN	30 m	0~70	QSFP AOC
C04014QASLxxx	56	850 VCSEL	PIN	100 m	0~70	QSFP AOC

Note : xxx indicates fiber length