

## Mini-SAS HD Active Optical Cable

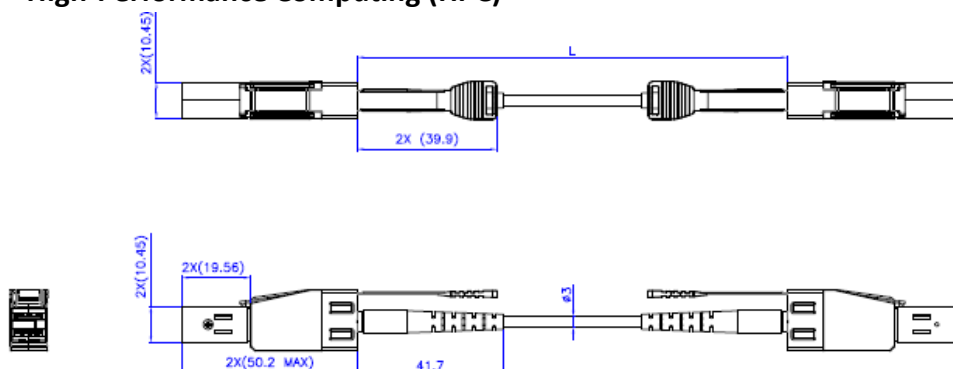
### Descriptions:

- Compliant to SAS-3 of 12-Gbps lane speed
- Backwards compatible to 6-Gbps SAS-2.1 of optical module capable systems
- 4Tx/Rx, Full-Duplex AOCs, maximum aggregate speed of 48-Gbps
- BER better than  $10^{-12}$
- Link length up to 30-m via MMF
- Round cable with small 3.0-mm outer diameter for flexible routing and easy cable management
- Connector compliant to SFF-8644
- Management interface compliant to SFF-8636
- Out-of-Band (OOB) Signal Support



### Applications:

- Storage, Switch, & Server Systems
- Workstations
- High-Performance Computing (HPC)



### Product Selections:

P/N	Data Rate (Gbps)	TX	RX	Reach	Temperature (deg C)	Description
C04012MSBLxxx	48	850nm VCSEL	PIN	100 m	0~70	Mini-SAS HD AOC

Note : xxx indicates fiber length